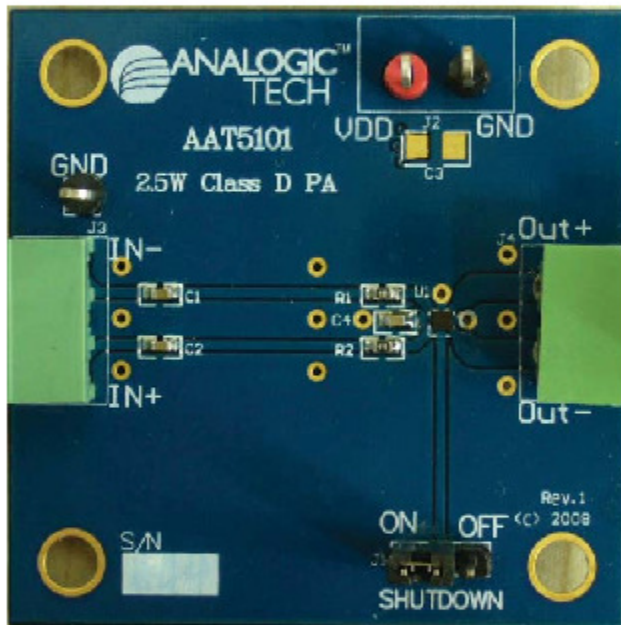
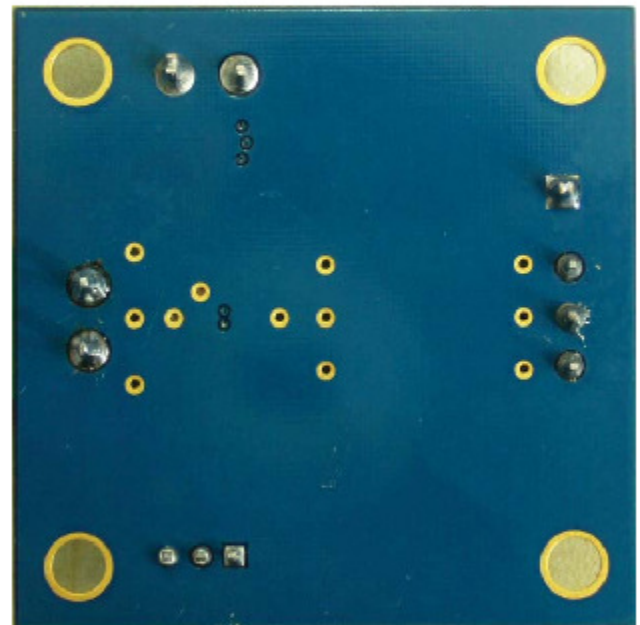


AAT5101 EVAL: 2.5W Mono Class D Audio Power Amplifier
Introduction

The AAT5101 is a high efficiency mono filter-free Class D audio power amplifier with fully differential architecture and BTL (Bridge Tied Load) output. The AAT5101 evaluation board is provided for demonstration and evaluation of the AAT5101. The board contains one power decoupling capacitor, two input capacitors, and two input resistors in the 0603 package suitable for portable device applications. The PCB layout has been optimized to achieve high SNR and low THD+N with the 1.45mm x 1.45mm WCSP-9 package.

The "Audio Demonstration" section of this document is intended to help the user to start the evaluation board for demonstration purposes. The "Amplifier Gain, THD+N, and Efficiency Evaluation" section explains procedures to measure amplifier gain, THD+N, and efficiency using the AAT5101 evaluation board. The AAT5101 evaluation board is shown in Figure 1; Figures 2 and 15 depict the AAT5101 evaluation board schematic and layout. For additional information, please consult the AAT5101 product datasheet.

Board Picture

a: Top Layer

b: Bottom Layer
Figure 1: AAT5101 Evaluation Board.