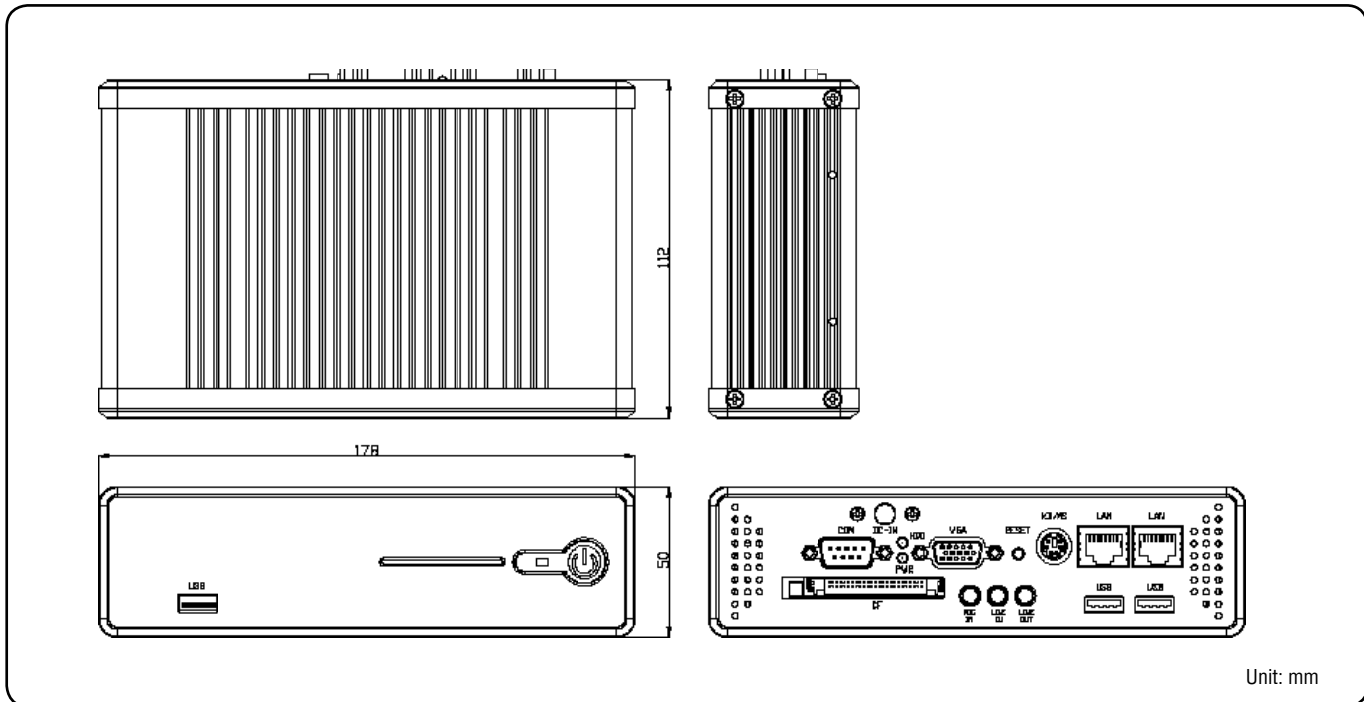




## Diagram



## Box Computer designed for Fanless High-speed Graphics & Networking

EPC-3711 is designed to support high performance and fanless applications in a truly compact size. Measuring in at 178mm x 112 mm x 50 mm, the EPC-3711 provides silent operation while running at a clock speed of 1 GHz. Empowered by onboard VIA Eden V4 1 GHz CPU and a CN700 chipset, EPC-3711 delivers high system performance and rich functionality, including a dual view display, dual Gigabit LAN, dual SATA, 3 USB ports, and 16-bit GPIO.

Incorporated with a VIA CN700 chipset, EPC-3711 is capable of running the most demanding multimedia applications with exceptional Graphics quality and extensive support for all types of panels up to 1 GB DDR2 400/533 SDRAM. The onboard 2-channel 18/24-bit LVDS interface supports both UXGA panel and dual independent displays.

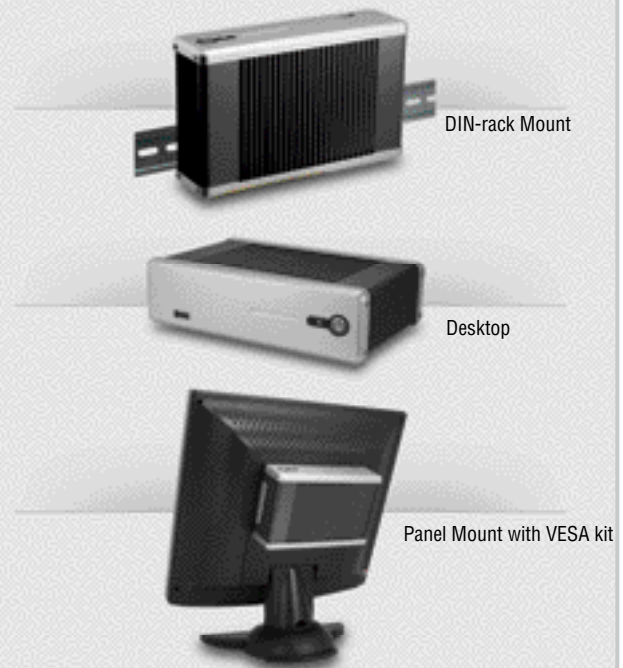
EPC-3711 also features single 5V ATX power input, jumperless serial port settings, and ACPI (Advanced Configuration and Power Interface) compliance. The system supports not only STR (Suspend to RAM), but also a STD (Suspend to Disk) power management state that enhances power efficiency and prevents data loss from power outage.

The system provides a special VESA kit that allows EPC-3711 to adapt easily to most wall mounts, a DIN-rail mount, or a VESA-compatible flat-panel mounting. The compact design also allows EPC-3711 for push-on installation into cars and other vehicles.

### Applications

- POS/POI
- Digital Signage
- Automation
- Medical
- Interactive KIOSK
- Imaging & Video
- Digital Control
- Gaming

### Versatile Installation Options



01  
RISC

02  
ETX

03  
EPIC

04  
3.5"

05  
5.25"

06  
MB

07  
PC/104

08  
Barebones

09  
Smart  
Terminal

10  
InnoFlex  
PPC

11  
ACC