



■ Features:

- Universal AC input with active PFC
- Installed on DIN rail TS35 / 7.5 or 15
- Protections : Short circuit / Over load / Over voltage / Over Temperature
- All using 105°C long life electrolytic capacitors
- High operation temperature up to 70°C
- True DC OK relay contact
- Withstand 5G vibration test
- High efficiency , long life and high reliability
- UL508 (Industrial control equipment) listed
- UL1310 Class 2 Power unit / LPS pass
- 3 years warranty

| Model | DN-10 | DN-20 | DN-40 | DN-60 | DN-100 |
|--------------------------|--|--------|------------|-------|---|
| DC Voltage Adj. Range | ±10% | | | | |
| AC Voltage Range | 88 ~ 264VAC 124 ~ 370VDC | | | | |
| AC Inrush Current (Typ.) | 30A/115VAC 60A/230VAC | | | | |
| Over Load | >105% rated output power | | | | |
| | Protection type : constant current limiting , automatically after fault condition is removed | | | | |
| Over Voltage | 115%~150% rated output voltage | | | | |
| | Protection type : latch-off mode | | | | |
| Working Temp. | -20 ~ +70°C (Refer to output load de-rating curve) | | | | |
| Vibration | 10 ~ 500Hz, 5G 0.5Oct/min, period for 60min. Each along X,Y,Z axes | | | | |
| Withstand Voltage | I/P - O/P: 4242 DC, I/P - FG:2121 DC 1 minute | | | | |
| EMC & Safety Standards | UL 508, TUV EN60950-1,UL1310 NEC class 2 compliant | | | | UL 508, TUV EN60950-1,UL1310 NEC class 2 compliant (24V / 48V Only) |
| | EN55022 : 2006(Class B), EN61204-3: 2000, EN61000-6-3: 2007 | | | | |
| | EN61000-3-2,3 :2006 | | | | |
| | EN55024, EN61204-3: 2000, EN61000-6-1: 2007 (EN61000-4-2,3,4,5,6,8,11) | | | | |
| Packing | 23*90*99mm | | 40*90*99mm | | 55*90*99mm |
| | 0.18Kg | 0.20Kg | 0.28Kg | 0.3Kg | 0.4Kg |

*Note:The specifications are subject to change without notice.

| Model | | DN-10-12 | DN-10-15 | DN-10-24 |
|--------|-----------------------|----------|----------|----------|
| Output | DC Voltage Range | 12V | 15V | 24V |
| | Rated Current | 0.84A | 0.67A | 0.42A |
| | Rated Power | 10.08W | 10.05W | 10.08W |
| | Ripple & Noise (max.) | 100mVp-p | 100mVp-p | 120mVp-p |
| Input | Efficiency (Typ.) | 83% | 85% | 86% |

| Model | | DN-20-12 | DN-20-15 | DN-20-24 |
|--------|-----------------------|----------|----------|----------|
| Output | DC Voltage Range | 12V | 15V | 24V |
| | Rated Current | 1.7A | 1.4A | 1A |
| | Rated Power | 20.4W | 21W | 24W |
| | Ripple & Noise (max.) | 100mVp-p | 100mVp-p | 120mVp-p |
| Input | Efficiency (Typ.) | 83% | 85% | 86% |

| Model | | DN-40-12 | DN-40-15 | DN-40-24 | DN-40-48 |
|--------|-----------------------|----------|----------|----------|----------|
| Output | DC Voltage Range | 12V | 15V | 24V | 48V |
| | Rated Current | 3.4A | 2.7A | 1.7A | 0.85A |
| | Rated Power | 40.8W | 40.5W | 40.8W | 40.8W |
| | Ripple & Noise (max.) | 100mVp-p | 100mVp-p | 120mVp-p | 180mVp-p |
| Input | Efficiency (Typ.) | 85% | 85% | 86% | 83% |

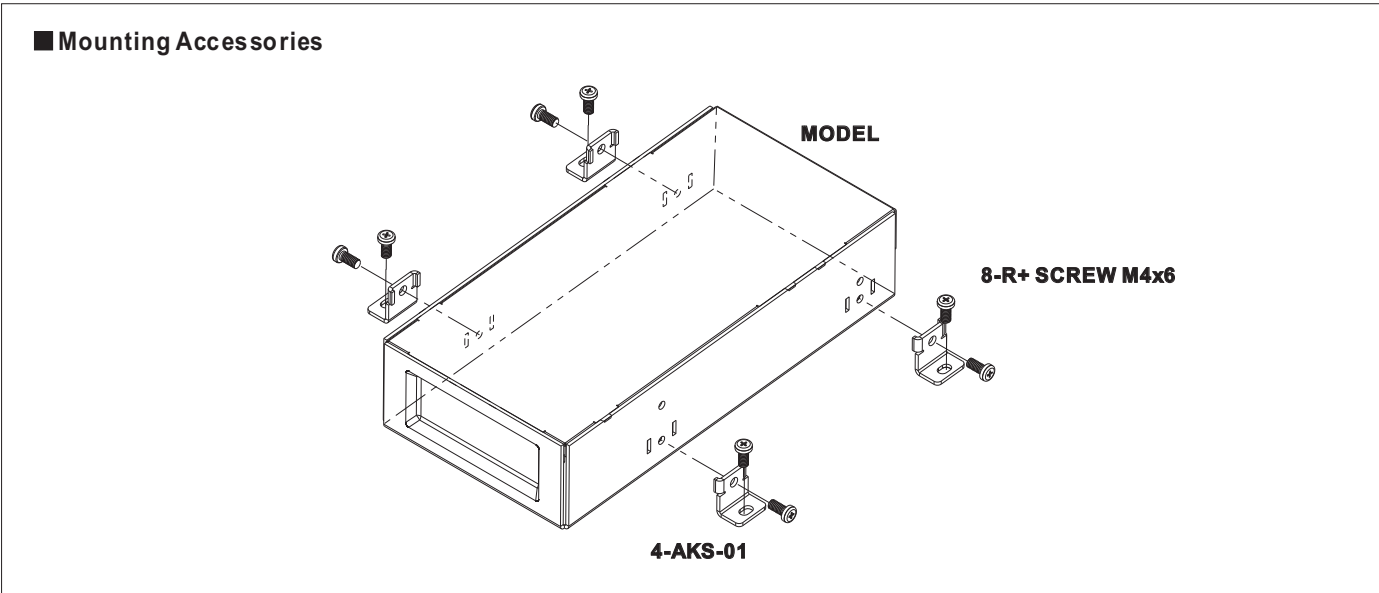
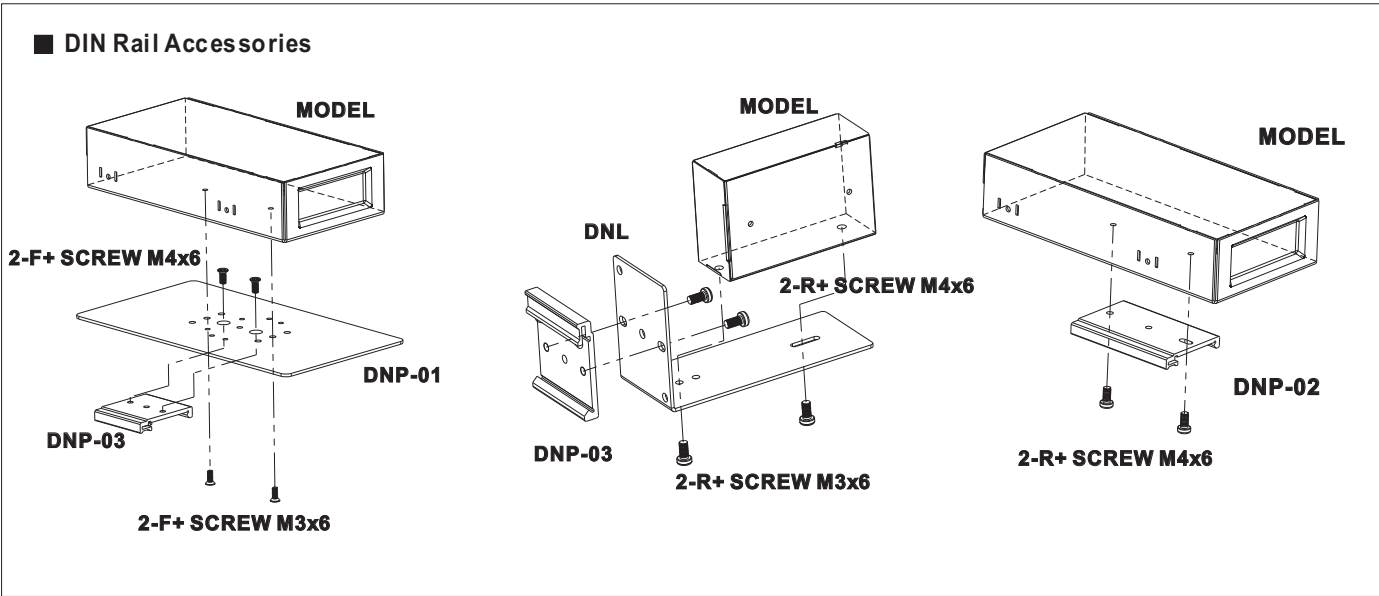
| Model | | DN-60-12 | DN-60-15 | DN-60-24 | DN-60-48 |
|--------|-----------------------|----------|----------|----------|----------|
| Output | DC Voltage Range | 12V | 15V | 24V | 48V |
| | Rated Current | 5A | 4A | 2.5A | 1.25A |
| | Rated Power | 60W | 60W | 60W | 60W |
| | Ripple & Noise (max.) | 100mVp-p | 100mVp-p | 120mVp-p | 180mVp-p |
| Input | Efficiency (Typ.) | 86% | 87% | 87% | 88% |

| Model | | DN-100-12 | DN-100-15 | DN-100-24 | DN-100-48 |
|--------|-----------------------|-----------|-----------|-----------|-----------|
| Output | DC Voltage Range | 12V | 15V | 24V | 48V |
| | Rated Current | 7.5A | 6.4A | 4A | 2A |
| | Rated Power | 90W | 96W | 96W | 96W |
| | Ripple & Noise (max.) | 180mVp-p | 180mVp-p | 180mVp-p | 250mVp-p |
| Input | Efficiency (Typ.) | 87% | 87% | 88% | 87% |

■ Mechanical Specification

| | 10W | 20W | 40W | 60W | 100W |
|---|------|------|-------|-------|-------|
| A | 23mm | 23mm | 40mm | 40mm | 55mm |
| B | 5mm | 5mm | 7.5mm | 7.5mm | 7.5mm |

*Note: The specifications are subject to change without notice.



| ITEM | Order No. | Model |
|------|-----------|---|
| | DNP-01 | GE25/35/50 GE75/100/150 AK-75/100/150/200 |
| | DNP-02 | AK 75/100/150/200 |
| | DNP-03 | All Models |

| ITEM | Order No. | Model |
|------|-----------|-------------------|
| | DNL-01 | GE 25/35/50 |
| | DNL-02 | AK 75/100/150/200 |
| | AKS-01 | AK150/200 |

*Note:The specifications are subject to change without notice.