

ConnectPort™ X Gateways

XBee® to IP Gateway Family

Gateways manage XBee WPANs and provide IP-to-application connectivity with secure cellular, Ethernet and Wi-Fi options.



Overview

ConnectPort X gateways provide IP network connectivity for end point devices in wireless XBee networks. Gateways collect end node data, process it, and send it to a parent application using cellular, Wi-Fi, or Ethernet connections. Available in multiple configurations and supporting a wide range of applications, ConnectPort X gateways are ideal for centralized data collection and communication in geographically diverse applications.

The Python® development environment, built into all ConnectPort X gateways, enables users to customize their application locally within the gateway. This easy-to-use universal programming language allows complete control of device connections, data manipulation and event based actions.

Part of Digi's Drop-in Networking solutions, ConnectPort X gateways are compatible with XBee adapters, XBee modules and XBee accessories, providing users with unparalleled flexibility and end-to-end communication between devices. For more information, please visit www.digi.com/din.

Related Products



iDigi Solutions



Modules



Adapters



Dev Kits

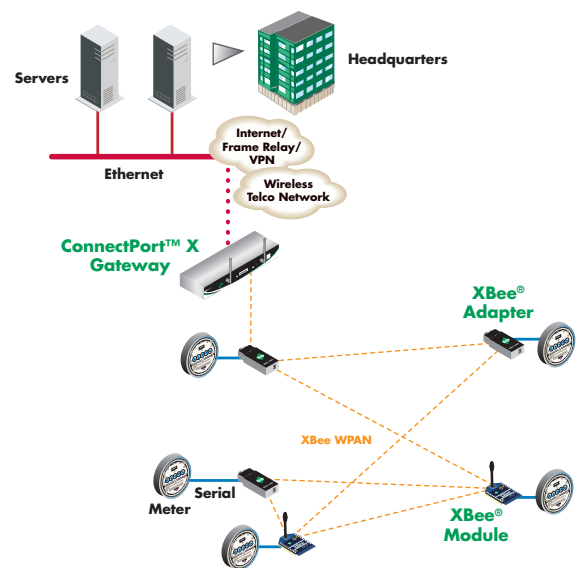


Network Extenders



Sensors

Application Highlight



Features/Benefits

- Cellular, Wi-Fi and Ethernet IP options
- Wireless XBee to IP gateway supports numerous XBee protocols
- Multiple form factors and configuration options for a wide range of applications
- Easy-to-use Python development environment for custom applications
- Optional GPS or local storage available (X8 only)
- IPsec and SSL VPNs on WAN connections with DES, 3DES or AES encryption
- 128-bit AES encryption on mesh network
- Enclosed PCIe module to reduce breakage/theft



Specifications

ConnectPort™ X8

ConnectPort™ X4

ConnectPort™ X2

General			
Management	HTTP/HTTPS web interface, Password access control, IP service port control, Optional secure enterprise management via iDigi		
Protocols	UDP/TCP, DHCP, SNMPv1		
LEDs	Ethernet status, power, cellular link/activity, signal strength (4 bars), ZigBee link/activity, Wi-Fi link/activity	Ethernet status, power, ZigBee link/activity	
Security	SSL tunnels, SSHv2, FIPS 197 (serial port)		SSL tunnels
VPN	IPsec with IKE/ISAKMP, multiple tunnel support, DES, 3DES and up to 256-bit AES encryption, VPN pass-through, GRE forwarding		-
Dimensions (L x W x H)	7.70 in x 4.11 in x 1.30 in (19.5 cm x 10.40 cm x 3.30 cm)	5.25 in x 3.35 in x 1.00 in (13.33 cm x 8.50 cm x 2.54 cm)	5.50 in x 2.75 in x 1.13 in (13.9 cm x 7.0 cm x 2.9 cm)
Weight	1.50 lb (0.68 kg)	0.75 lb (0.34 g)	0.44 lb (0.20 kg)
Antenna			
XBee Antenna	4" dipole with 2' cable, tabletop mountable	4" dipole (Ethernet models), 4" dipole with 2' cable, tabletop mountable (GPRS models)	4" dipole
Wi-Fi (optional)	4" dipole with 2' cable, tabletop mountable		
Cellular (optional)	7" dipole		-
Interfaces			
USB	2 powered USB Type A connectors (Host)	1 powered USB Type A connector (Host)	-
Sensor	1 RJ-45 port	-	-
Cellular	EV-DO/1xRTT or HSDPA/EDGE/GPRS PCI Express modules (2)	EV-DO/1xRTT or HSDPA/EDGE/GPRS PCI Express modules (1)	-
Optional (via PCIe Module)	Global Positioning System (GPS), local storage (up to 1 GB)		-
Serial			
Ports	1 RS-232 DB-9M serial port		-
Throughput	Up to 230 Kbps		-
Signal Support	TXD, RXD, RTS, CTS, DTR, DSR and DCD		-
Ethernet			
Ports	1 RJ-45 port		
Physical Layer	10/100Base-T		
Data Rate	10/100 Mbps (auto-sensing)		
Mode	Full or half duplex (auto-sensing)		

Specifications

ConnectPort™ X8

ConnectPort™ X4

ConnectPort™ X2

Wi-Fi (802.11b/g)

Frequency	2.4 GHz		
Data Rate	Up to 54 Mbps with automatic rate fallback		Up to 11 Mbps w/fallback
Modulation	DBPSK (1 Mbps), DQPSK (2 Mbps), CCK (11,5.5 Mbps), BPSK (6,9 Mbps), QPSK (12,18		DBPSK (1 Mbps), DQPSK (2 Mbps),
Transmit Power	15 dBm ± 2 dBm		16 dBm typical
Receiver Sensitivity	-71 dBm @ 54 Mbps; -81 dBm @ 11 Mbps; -88 dBm @ 6 Mbps; -93 dBm @ 1 Mbps		-82 dBm @ 11 Mbps
Connector	1 x RP-SMA		
Modes	Ad-hoc & AP Client Modes only; Access Point Mode not supported		

Power Requirements

Power Input	9-30VDC	6-30VDC	9-30VDC
Power Supply	12VDC power supply for 0° C to 60° C (32° F to 140° F) with locking barrel connector included; extended temperature power supply available separately		
Power Consumption	Idle: 3.1 W, Max: 9 W	Idle: 1.5 W, Max: 10.4 W	Idle: 1.2 W, Max: 3.4 W
Surge Protection (with included power supply)	4 kV burst (EFT) per-4-4, 2 kV surge per EN61000-4		

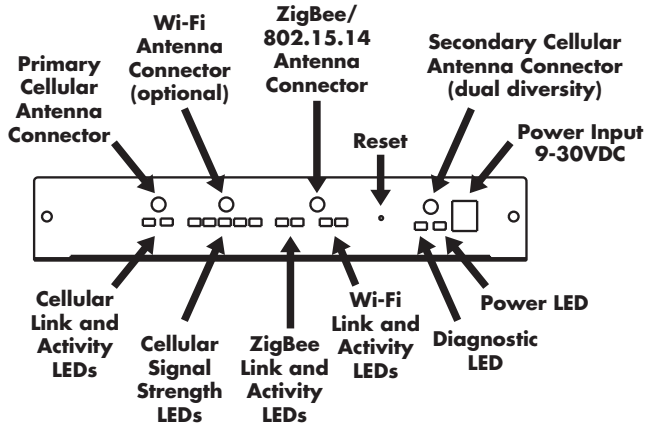
Environmental

Operating Temperature	-30° C to +60° C (-22° F to +140° F)	-30° C to +70° C (-22° F to +158° F)	
Relative Humidity	5% to 95% (non-condensing)		
Ethernet Isolation	1500VAC min per IEEE802.3/ANSI X3.263		
Serial Port Protection (ESD)	+15 kV Air Gap and +8 kV contact discharge per IEC 1000-4-2		-

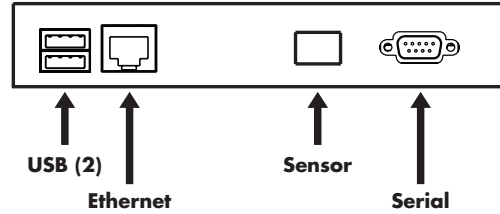
Regulatory Approvals

Safety	UL 60950, CSA 22.2 No. 60950, EN60950		EN60950
Emissions/Immunity	CE, FCC Part 15 (Class A), AS/NZS CISPR 22, EN55024, EN55022, Class A		CE, FCC Part 15 (Class A)
Mobile Certifications - CDMA/EV-DO	CDG, TIA/EIA-690, TIA/EIA-98-E		-
Mobile Certifications - GSM/UMTS	PTCRB, NAPRD.03, GCF-CC, R&TTE, EN 301 511		-

ConnectPort X8 - Front

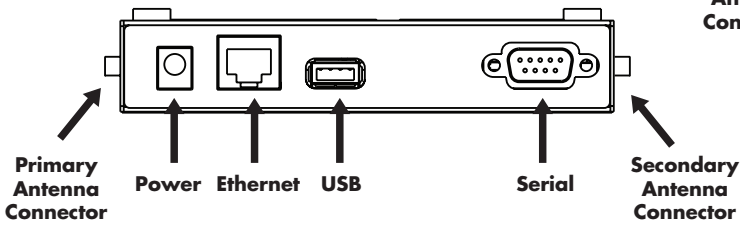


ConnectPort X8 - Back

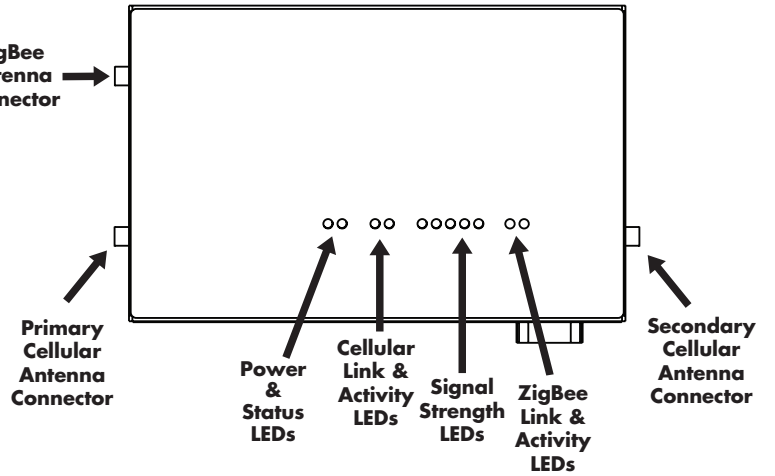


ConnectPort X4 - Top

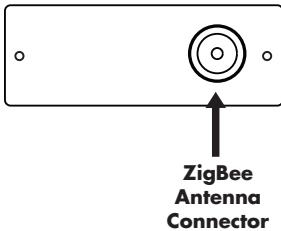
ConnectPort X4 - Front



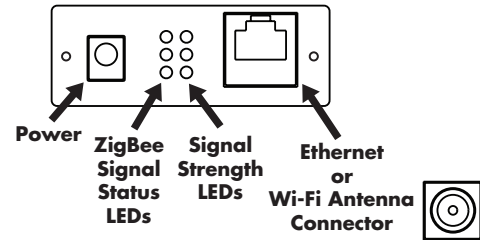
ZigBee Antenna Connector



ConnectPort X2 - Side



ConnectPort X2 - Side



Visit www.digi.com for part numbers.

DIGI SERVICE AND SUPPORT - You can purchase with confidence knowing that Digi is here to support you with expert technical support and a strong five-year warranty. www.digi.com/support

Digi International
877-912-3444
952-912-3444
info@digi.com

Digi International France
+33-1-55-61-98-98
www.digi.fr

Digi International KK
+81-3-5428-0261
www.digi-intl.co.jp

Digi International (HK) Limited
+852-2833-1008
www.digi.cn



91001411
D1/709

BUY ONLINE • www.digi.com

