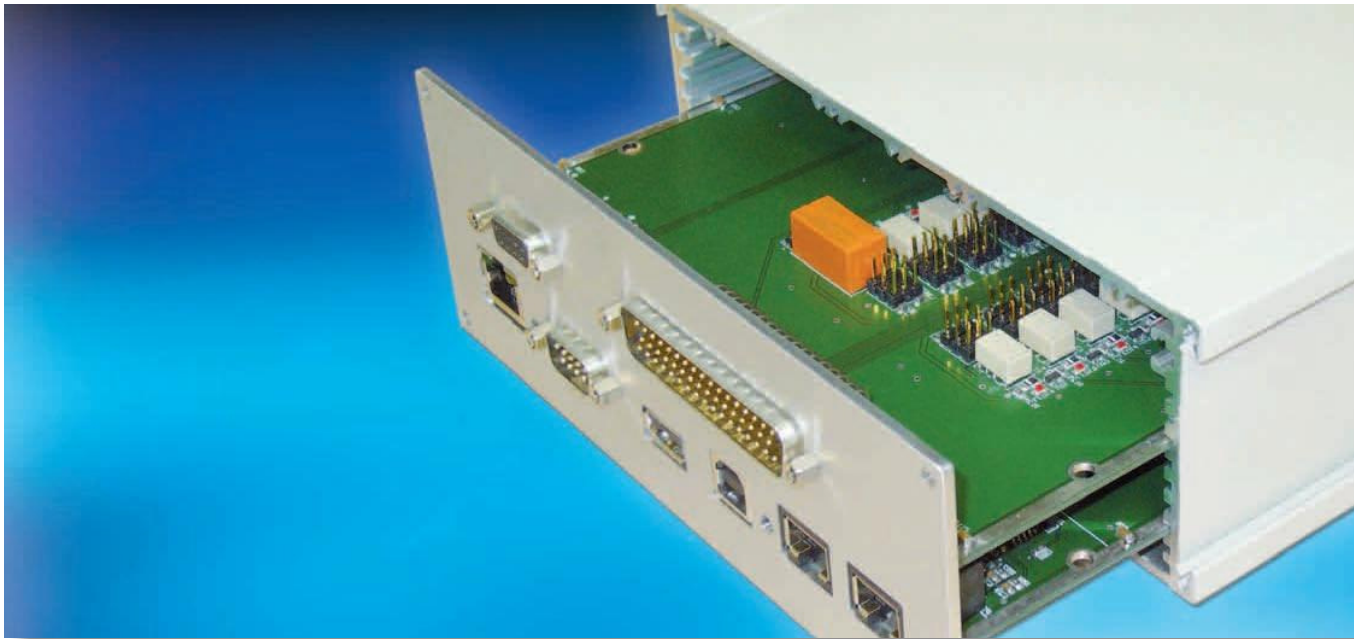
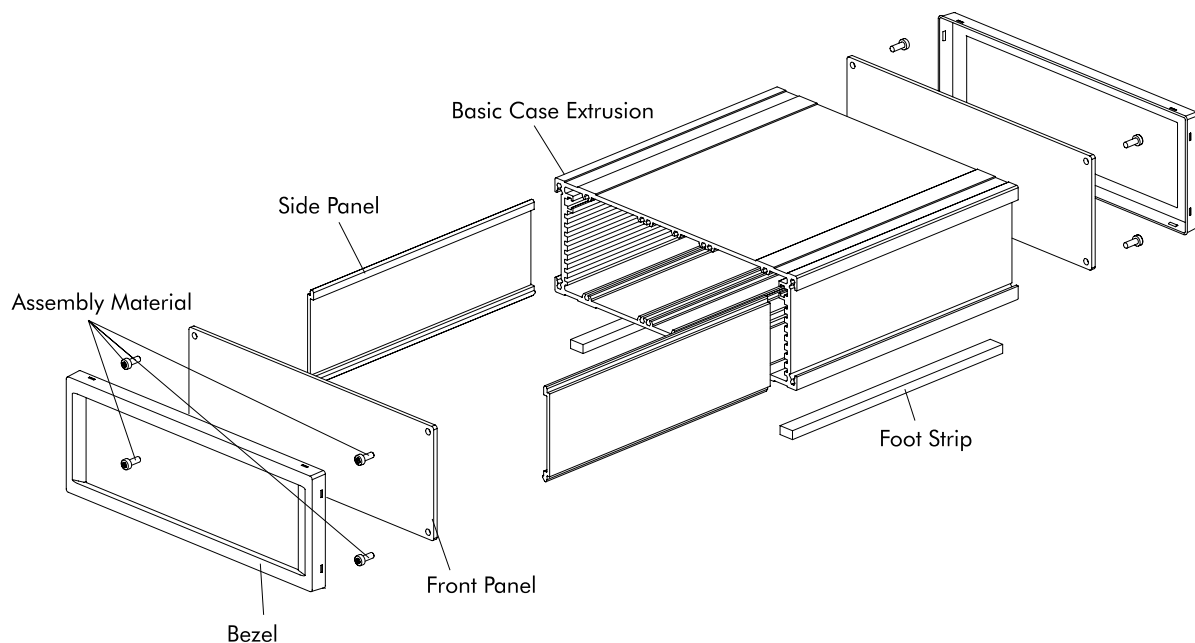


5: Minibox 34



5.1 Minibox 34 Overview

- Minibox 34 consists of one aluminium extrusion
- Front and rear panels are mounted with 4 screws each onto the extrusion
- This easy and service friendly mounting is a characteristic of this robust and vibration proof aluminium compact case
- Bezels are attached to the front and rear for design reasons. The screws used for assembling are not visible
- Carrying and positioning handles can be locked into 3 different positions. Thus the enclosure can be positioned at an angle
- Case assembly has a high screening attenuation due to its aluminium construction
- Degree of protection of IP40 as standard
- With a special sealing set IP65 can be achieved
- Combination of IP54 and EMC gaskets allow a high protection level
- Eurocards and non-standardised devices can be mounted easily into Minibox 34
- Side panel for better design and additional assembling options
- Plug-in extrusions allow different divisions
- This compact case can be used for test & measurement devices where besides compactness, form and colour, its robust construction is important



5: Minibox 34



Robust, handy and manifold upgradable

Applications

- Measuring and testing devices
- Laboratory devices
- Train, tramway equipment

Versions

- Standrad EMC
- IP65
- IP54 and EMC combined

Description

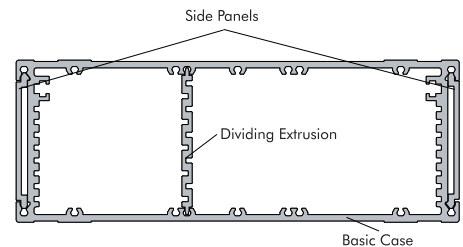
- Robust
- Compact
- Service friendly
- No visible screws
- Optional carrying handle

Thermal Solution

- Case and front / rear panels with ventilation slots on request

Colours

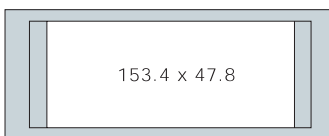
- Colours of case extrusion and side panel: white aluminium (RAL 9006)
other colours on request (MOQ: 10 pcs., no stock)
- Colour of bezel: silver



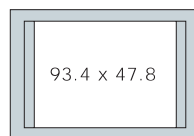
The basic case consists of one aluminium extrusion and guarantees optimal and professional packaging of your boards or components. The side panels allow assembly of additional components and the dividing extrusion offers new division possibilities.

Cases and Sizes

Size 1



Size x



Size x



for 160 mm cards

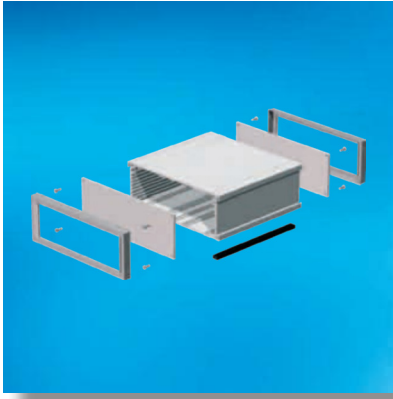
Size x



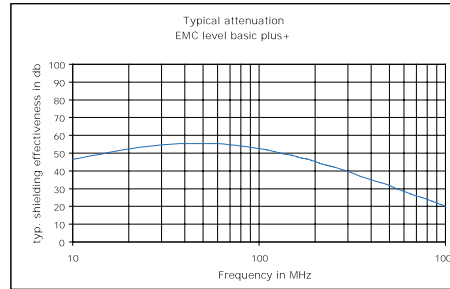
for 100 mm cards

5: Minibox 34

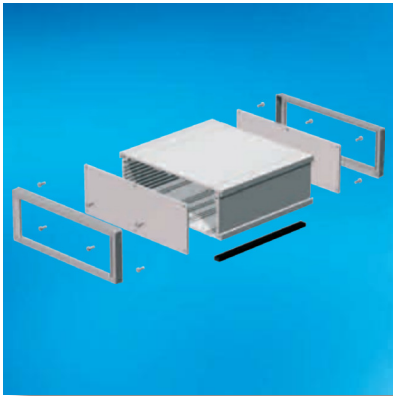
Minibox 34 Standard



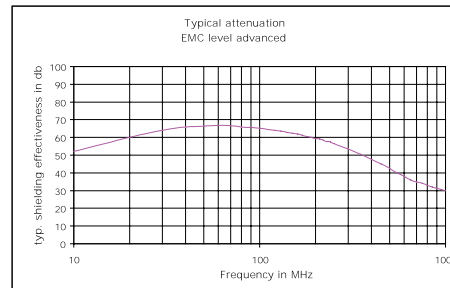
- Basic EMC Level plus+*
- Case extrusion as well as front panels have conductive connections
- Mounting of front panels with 4 screws each
- This provides effective EMC protection



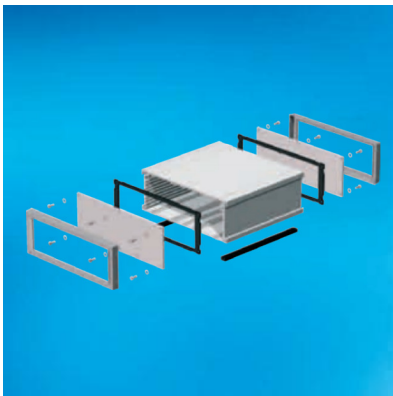
Minibox 34 EMC



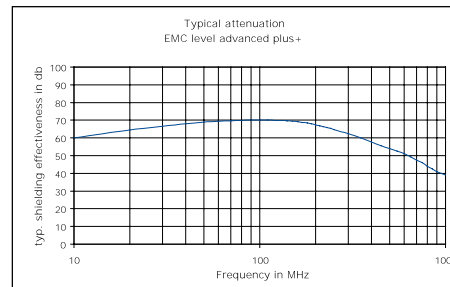
- Advanced EMC Level *
- Case extrusion as well as front panels have conductive connections
- Mounting of front panels with 6 screws each
- The EMC case for demanding applications!



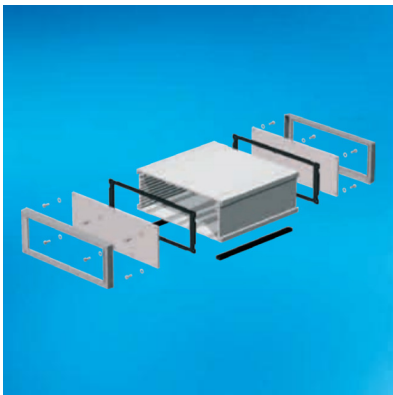
Minibox 34 IP54 and EMC



- Advanced EMC Level plus+ *
- Case extrusion and front panels mounted with 6 screws, IP54/EMC gaskets in addition
- The EMC case for demanding applications
- This version protects your electronics against splashes and dust



Minibox 34 IP65



- Case extrusion and front panels mounted with 6 screws, IP65 gaskets in addition
- This version protects your electronics against dust and water jets from a nozzle in all directions

* approximated values, no guarantee