

Switchmode Power Supplies

GPP Series

Conforms to IEC 60950

**Applications**

- Mobile applications
- Bluetooth
- Digital cameras
- Communication accessories
- Measurement and weighing technology
- Modems DSL, WLAN
- Electronic cash systems
- Safety technology

Characteristics

- Universal input 100 to 240 V AC
- Constant voltage, current limited
- Exchangeable primary adapters
- Low leakage current $\leq 10 \mu\text{A}$
- Low standby power ≤ 0.3 Watts resp. ≤ 0.5 Watts (15, 18, 24 V)
- Continuously short circuit proof

Technical data**Input voltage**100 to 240 V AC ($\pm 10\%$)**Input current**

250 mA (GPP 10), 400 mA (GPP 18)

Frequency

50 to 60 Hz

Efficiency

80 % typ. at full load

EMC

Conforms to EN 55011
 EN 55014, EN 55022/B,
 FCC 47 part 15, EN 61000-3-2,
 EN 61000-4-2, EN 61000-4-3,
 EN 61000-4-4, EN 61000-4-5,
 EN 61000-4-6, EN 61000-4-11

Output voltage tolerance

+ 5%, -7 %

Environmental specification**Operating temperature**

0 to 40° C at maximum load

Storage temperature

-40 to 70° C

Humidity

5 % to 95 % non condensing

Input transient susceptibility

Complies with IEC 61000 requirements

Safety specification**Standards**

Fulfils Class II SELV for the following applications:
 EN 60950/IEC 60950, UL 60950,
 CSA 950 (cUL), VDE, CE label

Reliability specification**MTBF calculation**

200.000 hours at maximum load
 and an ambient temperature of 25° C
 (in accordance with MIL-HDBK-217)

Mechanical specification**Weight approx.**

113 g (GPP 10), 170 g (GPP 18)

Plug connector

AC input:
 FRIWO exchangeable mains plug system:
 EURO, UK, USA/Japan, Australia, IEC
 DC output:
 Universal output plug system

For primary adapters see page 26

GPP 10



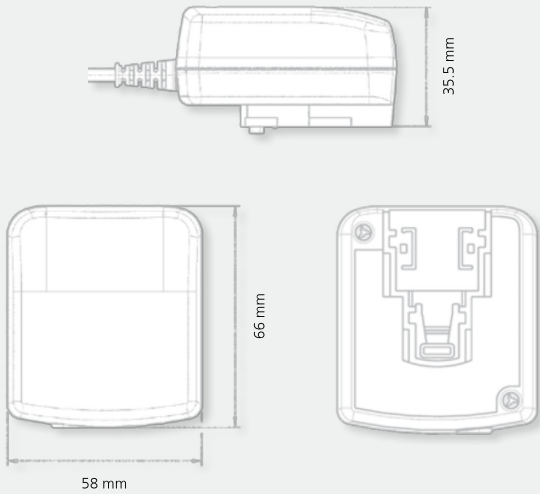
GPP 18



GPP 36

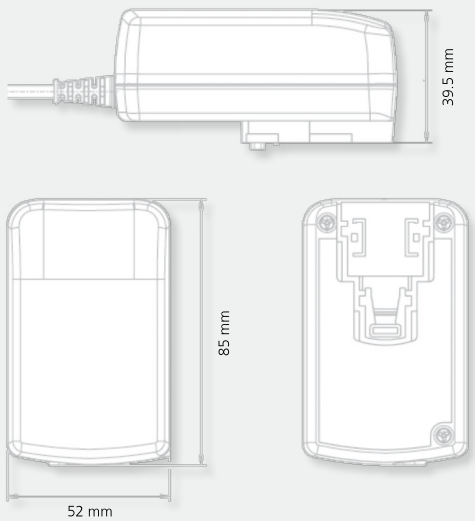


10 Watts



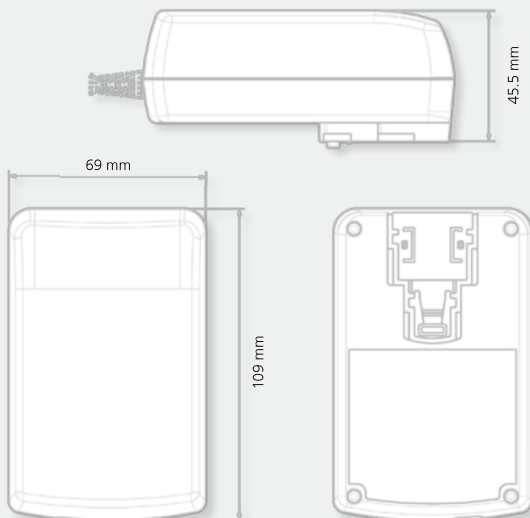
Output data			Worldwide
Voltage	Current	Ripple Voltage	Order No.
5 V	1600 mA	75 mV pp	1827490
6 V	1400 mA	75 mV pp	1827491
7.5 V	1200 mA	75 mV pp	1827492
9 V	1000 mA	75 mV pp	1827493
12 V	800 mA	75 mV pp	1827494
15 V	700 mA	75 mV pp	1827495
18 V	560 mA	125 mV pp	1827496
24 V	420 mA	125 mV pp	1827497

18 Watts



Output data			Worldwide
Voltage	Current	Ripple Voltage	Order No.
5 V	3000 mA	75 mV pp	1828724
6 V	2500 mA	75 mV pp	1828725
7.5 V	2000 mA	75 mV pp	1828726
9 V	1800 mA	90 mV pp	1828727
12 V	1500 mA	100 mV pp	1828728
15 V	1200 mA	100 mV pp	1828729
18 V	1000 mA	180 mV pp	1828730
24 V	750 mA	180 mV pp	1828731

36 Watts



Output data			Worldwide
Voltage	Current	Ripple Voltage	Order No.
in preparation			