



Gennum Equalizers

Industry's longest tested cable lengths and data rates up to 3Gb/s

MULTI-RATES

Gennum's equalizers offer robust multi-standard operation from 143Mb/s to 2970Mb/s even under stressful video pathological signals and are fully SMPTE 424M, 292M, 344M and 259M compliant.

LONG CABLE LENGTH - PRODUCTION TESTED

Industry's longest cable lengths: 140m at 3Gb/s, 230m at HD, and 350m at SD. All equalizers are loop production tested at applicable data rate and cable length.

LOW POWER

Gennum offers the best performance at the lowest power consumption with an additional 20% power reduction from previous generations.

SIZE

Gennum's latest QFN packaged equalizer product line offers 70% space savings over our legacy SOIC equalizers.



GS1524A
Actual Size



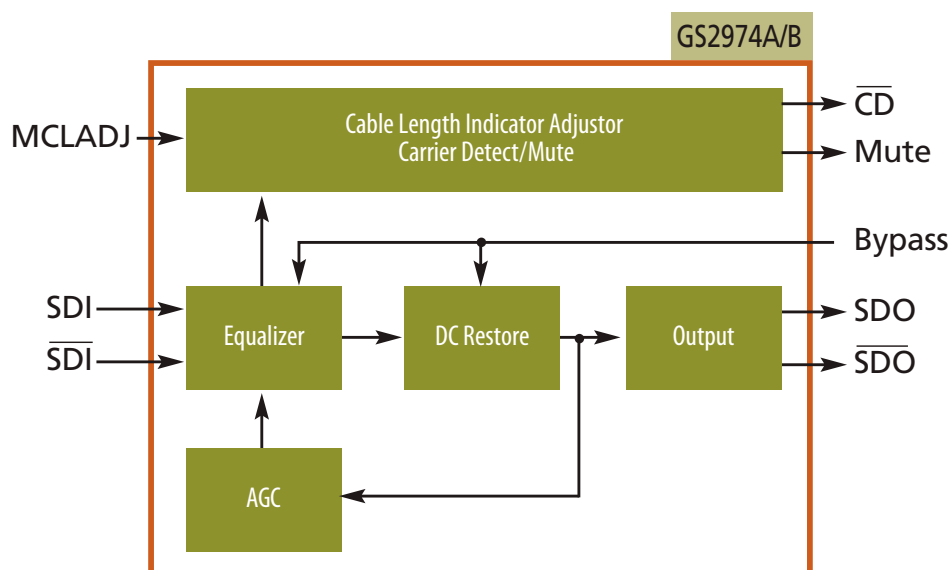
GS2974A
Actual Size

FLEXIBLE FOOTPRINT

Future proof your design by using Gennum's QFN footprint compatible parts for SD, HD, or 3Gb/s applications (GS9074A, GS1574A, and GS2974A/B).

EQUALIZERS

	GS9074A	GS1524A	GS1574A	GS2974A	GS2974B
Data Rate (Mb/s)	143 - 360	143 - 1485	143 - 1485	143 - 2970	143 - 2970
Power Supply (V)	3.3	3.3	3.3	3.3	3.3
Package	16 QFN	16 SOIC	16 QFN	16 QFN	16 QFN
Size (mm)	4 x 4	6 x 10	4 x 4	4 x 4	4 x 4
Power (mW)	215	265	215	215	215
3Gb/s Typical Cable Length Belden 1694A, 0.4UI (m)	N/A	N/A	N/A	120 (@ 0.3UI)	140
HD Typical Cable Length Belden 1694A, 0.30UI (m)	N/A	200	200	200	230
SD Typical Cable Length Belden 1694A, 0.20UI (m)	350	350	350	350	250
Footprint Compatible With	GS1574A GS2974A/B	GS9064A	GS9074A GS2974A/B	GS9074A GS1574A	GS9074A GS1574A



LEARN MORE:

URL: WWW.GENNUM.COM

EMAIL: INFO@GENNUM.COM

PHONE: (905) 632-2996