

HC49/4HSMX AUTO

ISSUE 1; 4 MAY 2010 - RoHS 2002/95/EC

Holder Style

- Resistance welded, hermetically sealed metal package sealed in an inert atmosphere with glass to metal seals securing the lead wires. The lead wires are formed into a gull wing and mounted on a plastic former and is suitable for automotive applications. Qualified to AEC-Q200 and available with TS16949 release.

General Specifications

- Load Capacitance (CL): 16pF standard
- Drive Level: 50μW standard
- Shunt Capacitance (Co): 7pF max
- Ageing: ±5ppm max per year at 25°C

Packaging

- Loose in bulk pack or tape and reel
- Tape & Reel in accordance with EIA-481-D

Standard Frequency Tolerances

- ±10ppm to ±50ppm

Standard Frequency Stabilities

- ±15ppm to ±100ppm

Operating Temperature Ranges

- 40 to 85°C
- 40 to 125°C

Storage Temperature Range

- 40 to 150°C

Environmental

- Qualified to AEC-Q200

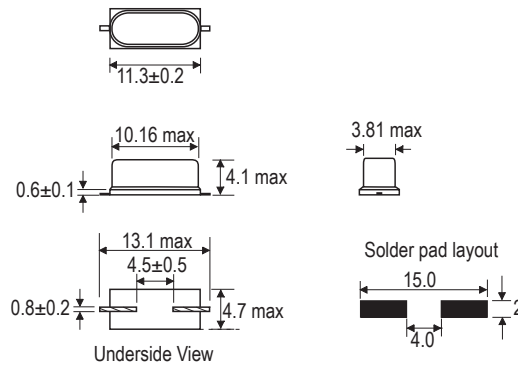
Marking includes

- Frequency + Date Code

Minimum Order Information Required

- Frequency + Holder + Frequency Tolerance @ 25°C
+ Frequency Stability + Operating Temperature Range
+ Circuit Condition

Outline (mm)



Electrical Specification - maximum limiting values

Frequency Range	Frequency Tolerance @25°C ±2°C	Operating Temperature Range	Frequency Stability Available Over Operating Temperature Range		ESR Max	Vibration Mode
			Minimum	Maximum		
3.01 to 4.0MHz	±10ppm to ±30ppm	-40 to 85°C	±15ppm	±50ppm	300Ω	Fundamental AT cut
	±20ppm to ±50ppm	-40 to 125°C	±50ppm	±100ppm		
>4.0 to 5.5MHz	±10ppm to ±30ppm	-40 to 85°C	±15ppm	±50ppm	130Ω	
	±20ppm to ±50ppm	-40 to 125°C	±50ppm	±100ppm		
>5.5 to 8.0MHz	±10ppm to ±30ppm	-40 to 85°C	±15ppm	±50ppm	80Ω	
	±20ppm to ±50ppm	-40 to 125°C	±50ppm	±100ppm		
>8.0 to 40.0MHz	±10ppm to ±30ppm	-40 to 85°C	±15ppm	±50ppm	50Ω	
	±20ppm to ±50ppm	-40 to 125°C	±50ppm	±100ppm		
26.0 to 100.0MHz	±10ppm to ±30ppm	-40 to 85°C	±15ppm	±50ppm	100Ω	3rd Overtone AT cut
	±20ppm to ±50ppm	-40 to 125°C	±50ppm	±100ppm		

Note. For any other frequencies / specifications please contact our sales office