

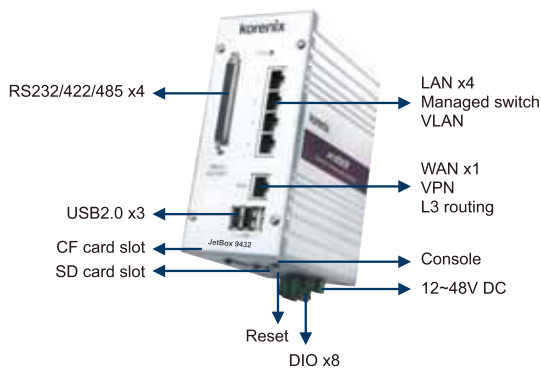
## JetBox 9400 series Programmable

### Embedded Routing Platform for Secured Multi-Site Communications

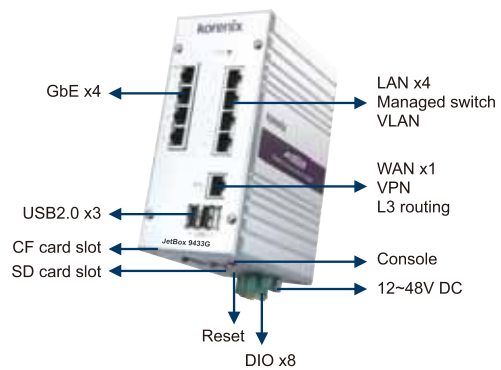
- VPN, DMVPN for enhanced secure networking
- Dynamic Layer3 Routing: OSPF, RIP, DVMRP, IPv6
- Embedded Linux UI—Webmin
- Linux SDK provided for programming
- Multiple Interface: WAN, LAN, DIO, USB, Serial
- 12~48 VDC wide range power input
- Gigabit for High Bandwidth video stream transmission
- Full switch management with QoS, VLAN
- NTP for network time management
- miniPCIe & SIM slot for mobile module (GSM/GPRS/3G/HSUPA)
- Auto-run SD card for customized configuration
- -40~80°C wide operating temperature for harsh environments



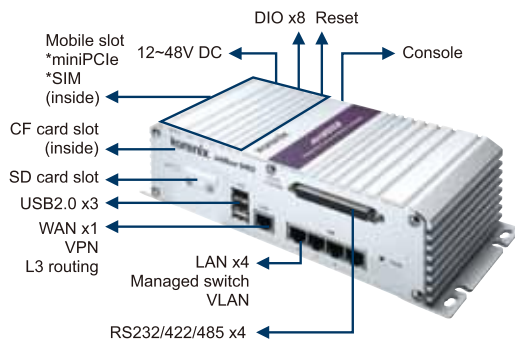
#### JetBox 9432 Interface



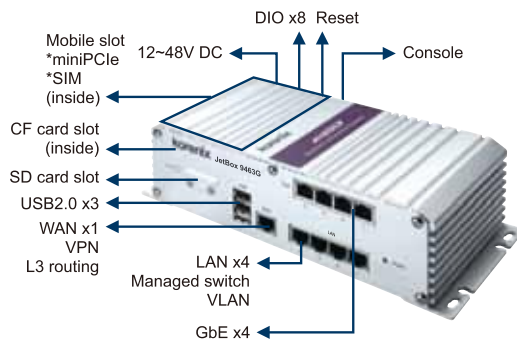
#### JetBox 9433G Interface



#### JetBox 9462 Interface



#### JetBox 9463G Interface



## Quick Selection Guide



JetBox 9430 JetBox 9432 JetBox 9433G JetBox 9435 JetBox 9460 JetBox 9462 JetBox 9463G

		Basic	+Serial	+GbE	+4 LAN	+Mobile	+Mobile +Serial	+Mobile +GbE
<b>Network</b>	Ethernet	FE x4	FE x4	FE x4	FE x8	FE x4	FE x4	FE x4
	Switch (LAN)			GbE x4				GbE x4
	Router (WAN)	x1	x1	x1	x1	x1	x1	x1
<b>Interface</b>	RS232/422/485		x4				x4	
	USB	x3	x3	x3	x3	x3	x3	x3
	DIO	x8	x8	x8	x8	x8	x8	x8
	CF card slot	x1	x1	x1	x1	x1	x1	x1
	SD card slot	x1	x1	x1	x1	x1	x1	x1
	miniPCIe & SIM slot					x1	x1	x1
<b>OS</b>	Embedded Linux	Korenix JetOS95						
<b>Add-on SW</b>	Modbus Gateway		○				○	
	Webmin & JamVM	○	○	○	○	○	○	○
<b>Environ.</b>	-40~80°C operating	○	○	○	○	○	○	○

● supported

○ supported by model

FE: Fast Ethernet; GbE: Gigabit Ethernet



## SW Specification

### Korenix JetOS95 (without PoE)

**Bootloader:** JetBox bootloader

**Linux Kernel:** 2.6.20

**Shell:** GNU ash

**File system:** jffs2, NFS, Ext2, Ext3, VFAT, FAT

**Device drivers:** SD card, CF card, USB, Watchdog timer, UART, Ethernet, DIO

**Protocol:** ARP, PPP, CHAP, IPv4, IPv6, PAP, ICMP, TCP, UDP, NFS, RIP, RIP-II, OSPF, ISIS\*, BGP\*, DVMRP, L2TP, PPTP, SLIP, VLAN, IPsec, OpenVPN

**Software packages:** busybox (telnetd, inetd, udhcp), e2fsprongs, i2c-tools, ltp-testsuite, microcom, mtd, pciutils, usbmount, usbutils, bridge-utils, ethtool, iptables, net-snmp, ntp, openssh, openssl, openVPN,

openSWAN, pppd, pptp-linux, proftpd, samba, smtpclient, bind, l2tp, mroute, quagga, wireless-tools, jamvm, syslogd, udhcp, setserial, goahead web server

### SW Extension

Webmin, JamVM, Modbus GW

### Korenix Linux auto-run function

Customized configuration

Process monitoring

### SDK

**Linux tool chain:** Gcc (C/C++ PC cross compiler), uClibc

### Linux sample code

\*optional