

JetCard 2205 Overview



5 Ports 10/100Mbps Fast Ethernet Switch Universal PCI Card

- Support 32 bit Universal PCI bus
- 5 ports RJ45 Ethernet Switch
- IEEE 802.3 10 Base-T and 100 Base-Tx compatible
- Full or half duplex at 10/100 Mbps
- IEEE 802.3u Auto-Negotiation supported
- IEEE 802.1Q VLAN supported
- QoS supported
- 1.5KV Hi-pot isolation protection

The JetCard 2205 is a flexible and high performance five-port Ethernet switch card in Universal PCI format. The universal PCI bus of JetCard 2205 supports both +3.3V and +5V slot. The easy-to-install drivers that come with JetCard make it easier for you to set up your complex system. And with its 1.5KV Hi-pot isolation protection, and overload current/voltage protection, JetCard 2205 is ideal for industrial applications in severe environments and is your best choice for embedded networking solution.

The JetCard 2205 uses Marvell 88E6065 chip to provide 5 Ethernet ports. Each Ethernet port in the JetCard offers IEEE 802.3 10 Base-T and 100 Base-Tx compliant Ethernet data transmission with auto MDI/MDI-X and auto- negotiation.

Auto MDI/MDI-X: The JetCard automatically determine whether or not it needs to interchange cable sense between pairs so that an external crossover cable is not required. If the JetCard interoperate with a device that cannot automatically correct for crossover, the JetCard makes the necessary adjustment prior to commencing Auto-Negotiation.

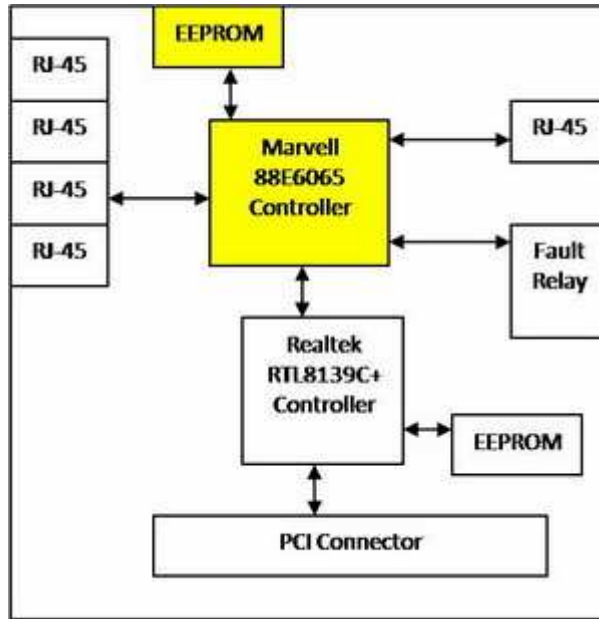
Flow control: The JetCard supports back-pressure and pause frame-based flow control schemes to ensure zero packet loss under temporary traffic congestion.

QoS (Quality of Service): QoS for networks is an industry-wide set of standards and mechanisms for ensuring high-quality performance for critical applications. JetCard provides the shared memory-based QoS switch architecture. Packets are directed into one of four traffic class queues based upon Port, IEEE 802.1p, IPv4's TOS or Diff-Serv, or IPv6's Traffic Class.

VLAN: The JetCard supports IEEE802.1Q tag VLAN and also can be enabled on a per-port basis VLAN.

Ethernet Statistics monitoring: The JetCard has a set of thirty, 32-bit counters to provide a set of Ethernet statistics for frames received on ingress and transmitted on egress. A register interface allows the JetCard to capture, read, or clear the counter values.

Customerized Configurations: The JetCard supports an add-on EEPROM for programming its internal registers. The EEPROM data will be read in once after JetCard is reset.



Dimensions (Unit -mm)

