

Sine wave output filter

new

**Description**

- Design corresponding to UL 1283, CSA 22.2 No. 8, IEC/EN60939
- Standard versions include insulated safety screw terminals
- Enhancement of the system efficiency

**Applications**

- Optimized for long motor cables (up to 200 m) and operation under full load
- Frequency converters in uninterruptible power supplies, elevators, heating-, ventilating- and air conditioning-systems, traction and conveyer systems

**References**

[General Product Information](#)

**Weblinks**

[Approvals](#), [RoHS](#), [CHINA-RoHS](#), [Distributor-Stock-Check](#)

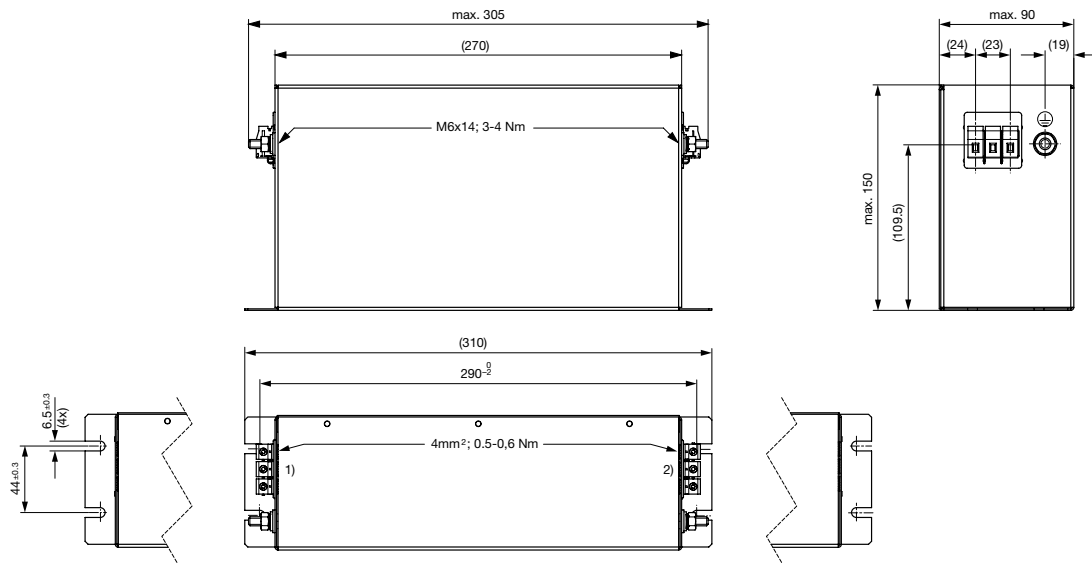
**Technical Data**

|                                 |   |
|---------------------------------|---|
| Rated Current                   | 4 - 16 A @ Ta 40 °C   |
| Rated voltage                   | 500/288 VAC; 50/60 Hz   |
| Approval for                    | 4 - 16 A @ Ta °C / 500/288 VAC; 50 Hz                                 |
| Overload Current                | 1.5 x I <sub>r</sub> for 1 minute, per hour                           |
| Dielectric Strength for 480 VAC | 2.5 kVDC between L-L<br>1.1 kVDC between L-PE<br>Test voltage (2 sec) |
| Weight                          | 9 - 22 kg   |
| Material: Housing               | Metal   |
| Sealing Compound                | UL 94V-2  |

|                            |   |
|----------------------------|---|
| Mounting                   | Screw-on mounting on chassis, from top                            |
| Terminal                   | Screw Clamp   |
| Operating Temperature [°C] | -25 °C to 100 °C  |
| Climatic Category          | 25/100/21 acc. to IEC 60068-1                                     |
| Degree of Protection       | IP 20 acc. to IEC 60529   |
| Protection Class           | Suitable for appliances with protection class 1 acc. to IEC 61140 |

## Dimensions

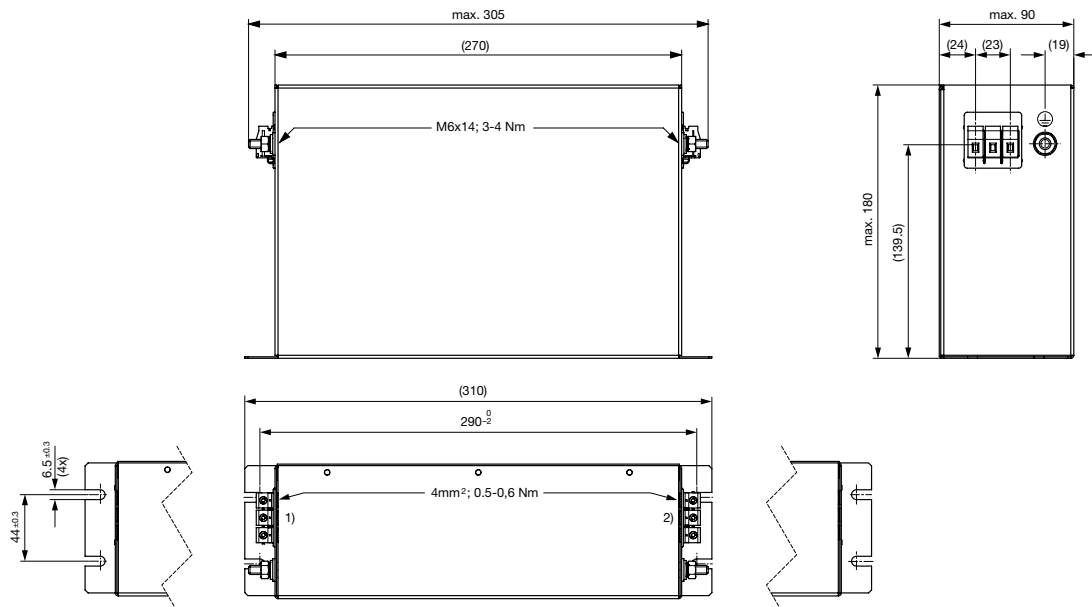
Case 2K



1) Inverter

2) Motor

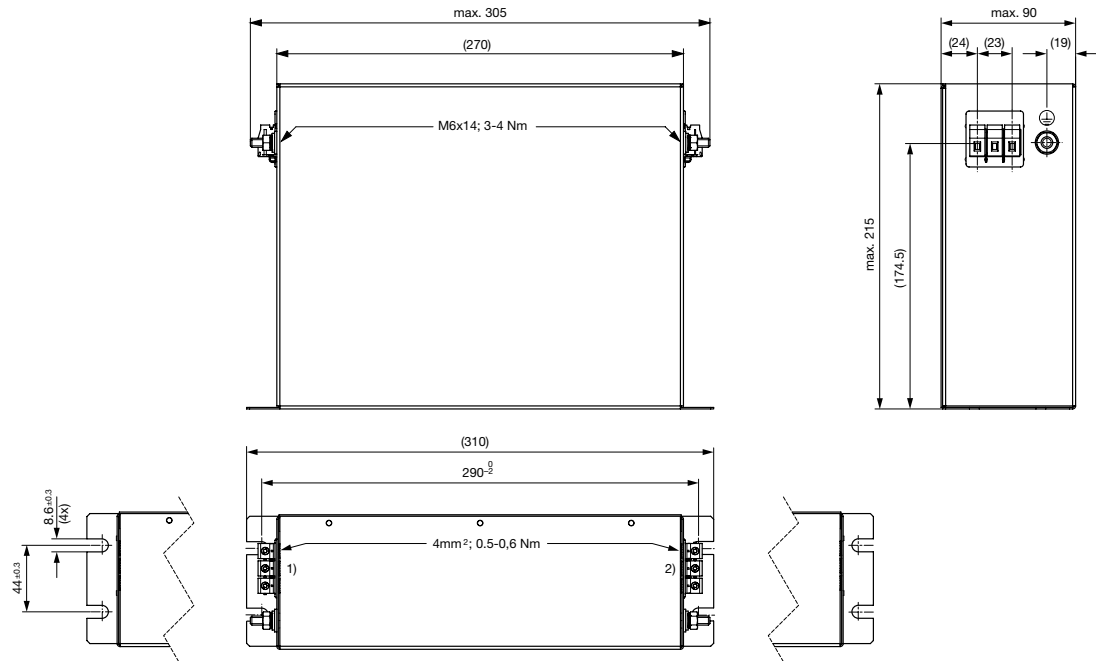
Case 2L



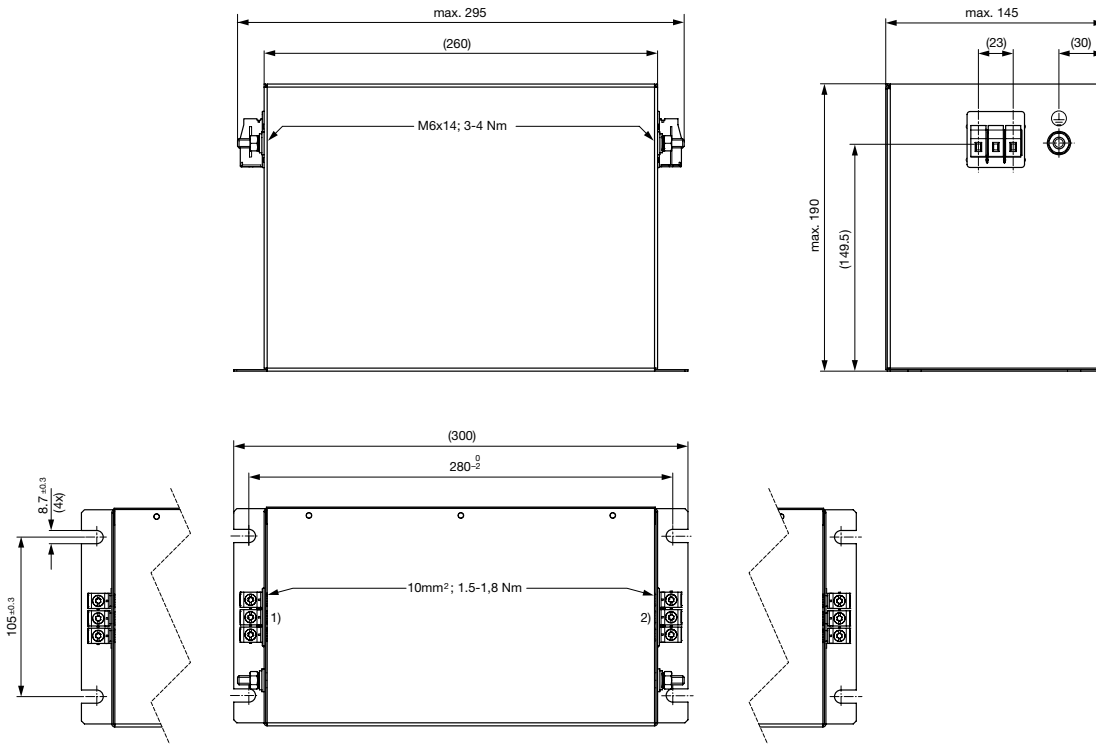
1) Inverter

2) Motor

Case 2M

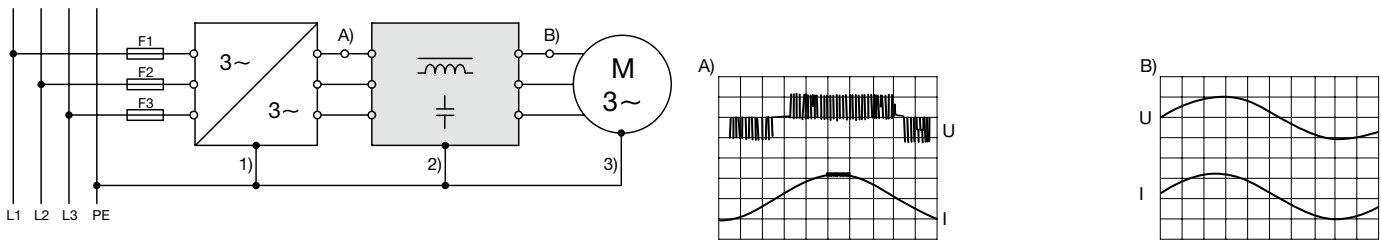


- 1) Inverter
  - 2) Motor
- Case 2N



- 1) Inverter
- 2) Motor

### Diagrams



1) Inverter 2) Sine wave output filter 3) Motor

### Variants

| Rated Current | Rated voltage | Switching frequency | Motor frequency | Rated motor power | Motor cable length | DC resistance | Total power loss | Weight | Housing | Order Number     |
|---------------|---------------|---------------------|-----------------|-------------------|--------------------|---------------|------------------|--------|---------|------------------|
| [A]           | [VAC]         | [kHz]               | [kHz]           | [kW]              | [m]                | [mΩ]          | [W]              | [kg]   |         |                  |
| 4             | 500/288       | 2...20              | 0...200         | 1.5               | 200m               | 400           | 7                | 9      | 2K      | FMAC-0S2K-0462-A |
| 8             | 500/288       | 2...20              | 0...200         | 3.0               | 200m               | 180           | 12               | 12     | 2L      | FMAC-0S2L-0862-A |
| 12            | 500/288       | 2...20              | 0...200         | 5.5               | 200m               | 120           | 18               | 15     | 2M      | FMAC-0S2M-1262-A |
| 16            | 500/288       | 2...20              | 0...200         | 7.5               | 200m               | 170           | 44               | 22     | 2N      | FMAC-0S2N-1662-A |

Packaging unit 1 Pcs