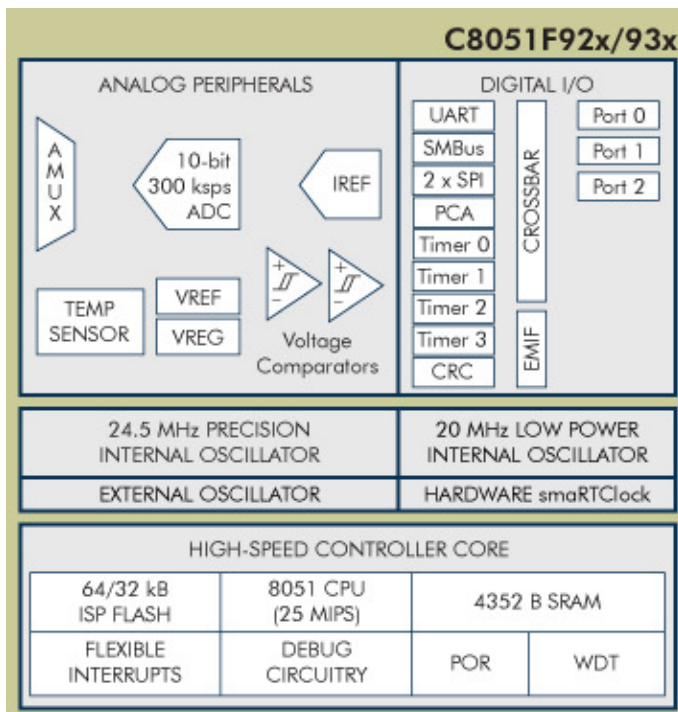


Low-Voltage/Low-Power MCUs

The C8051F9xx is the industry's first MCU family capable of full-spec operation down to 0.9 V and up to 3.6 V, enabling single-cell battery operation as well as dramatically increasing battery life for dual-cell applications. With an integrated dc-dc converter, the C8051F9xx has been designed to provide a fast wake-up time, low active-mode, and ultra-low sleep mode current consumptions.



Features

- One-cell mode supports 0.9 to 1.8 V operation
- Dual-cell mode supports 1.8 to 3.6 V operation
- Integrated high-efficiency dc-dc boost converter
- Integrated low drop out (LDO) voltage regulator
- Multiple internal oscillators
- Ultra-low current sleep mode and fast wake
- 25 MHz, single-cycle 8051 compatible CPU with low active-mode current
- Burst mode 10-bit ADC with internal fast start-up VREF
- Up to 23 capacitive touch sense inputs

Applications

- Portable personal medical products
- Remote controls
- Portable audio
- Consumer electronics
- Wireless sensors and security
- Wireless meter reading
- Industrial monitoring and control

Technologies

- Unique power management unit
- Integrated dc-dc controller
- Integrated LDO regulator