

Mobile-ITX Series

NEW

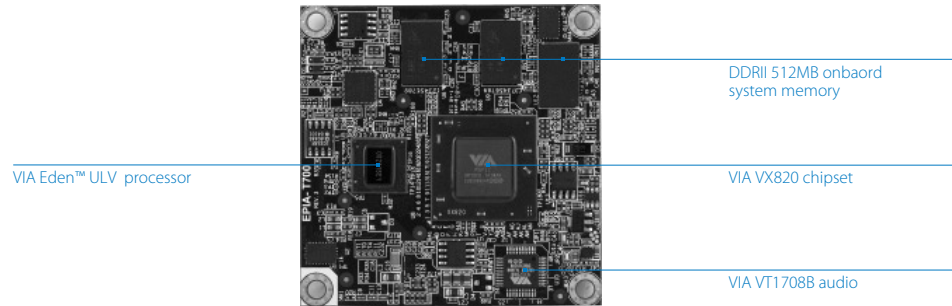
VIA EPIA-T700

Mobile-ITX Eden™ ULV
Module with MPEG-2/4,
WMV9, PCI Express, IDE,
VGA, TTL/DVP, LPC, USB

Features

- Mobile-ITX form factor, the smallest existing COM, sized in 6 cm x 6 cm
- Integrated VIA UniChrome™ Pro II 3D/2D AGP graphics with MPEG-2/4 & WMV9 video decoding acceleration
- Onboard DDR2 512MB soldered memory chip
- Supports one VGA and one TTL/DVP
- Supports one 1-lane PCI Express
- Supports one single-channel IDE hard drive
- Supports five USB 2.0 ports
- Supports HD audio

Board Placement



Specifications

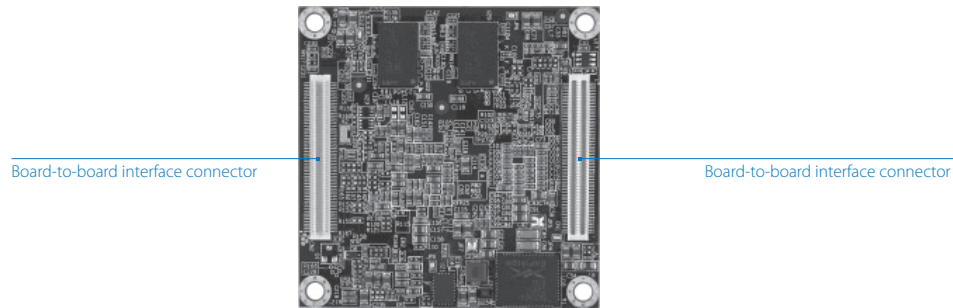
Model Name	EPIA-T700
Processor	1.0 GHz VIA Eden™ ULV MobileBGA
Chipset	VIA VX820 Unified Digital Media IGP chipset
System Memory	Onboard DDR2 512MB soldered memory chip
VGA	Integrated VIA UniChrome™ Pro II 3D/2D AGP graphics with MPEG-2/4 & WMV9 video decoding acceleration
Onboard Audio	VIA VT1708B High Definition Audio Codec
Onboard I/O Connectors	Mobile-ITX board-to-board connector with following interface signals included: 1 x PCIe x1 1 x Single-channel IDE 1 x VGA 1 x TTL/DVP 1 x SMBus 1 x LPC 5 x USB2.0 1 x VCP 1 x Audio 2 x SDIO 4 x GPIO 1 x Power & Power Management Interface 1 x PCI clock
Operating System	Windows XP, Linux, Win CE, XPe
Operating Temperature	0°C ~ 60°C
Operating Humidity	0% ~ 95% (relative humidity; non-condensing)
Form Factor	Mobile-ITX 6 cm x 6 cm
Weight	18.6 g

Ordering Information

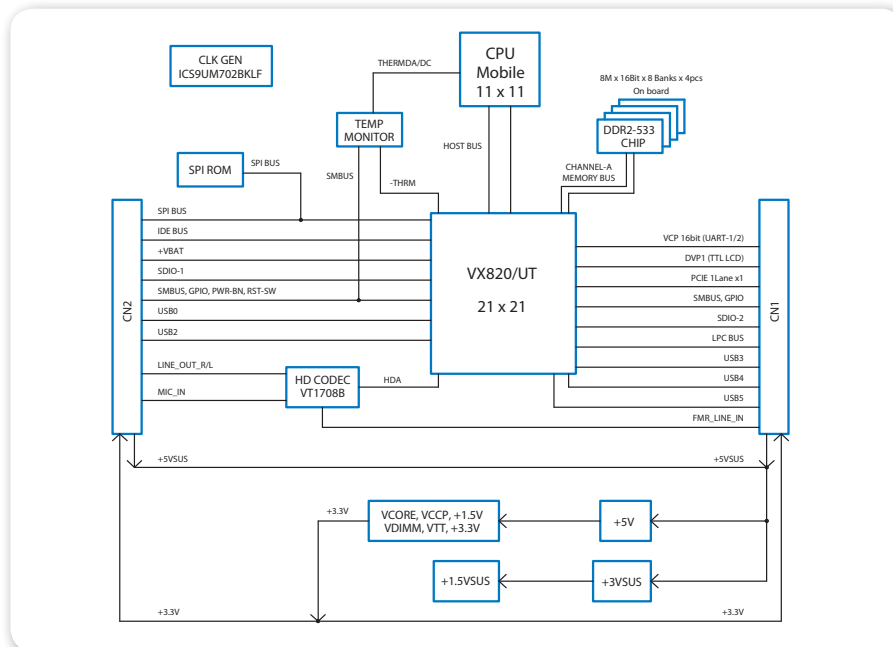
Model Name	CPU Frequency	Description
T700	1.0 GHz Eden™ ULV	Mobile-ITX Board with 1.0 GHz Eden™ ULV CPU, PCI Express, PCI Clock, IDE, VGA, LPC, SMBus, USB, SDIO, GPIO



Board Placement



Block Diagram



Packing List

Items

- 1 x EPIA-T700-IO I/O card (Pre-assembled)
- 1 x VGA cable
- 1 x USB cable
- 1 x PS2 cable
- 1 x Audio cable
- 1 x 5V AC adapter
- 1 x Power cord
- 1 x Driver Utility CD