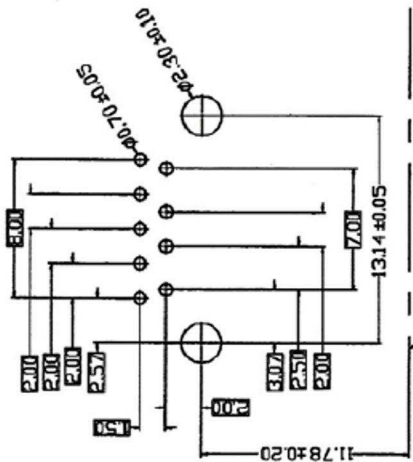
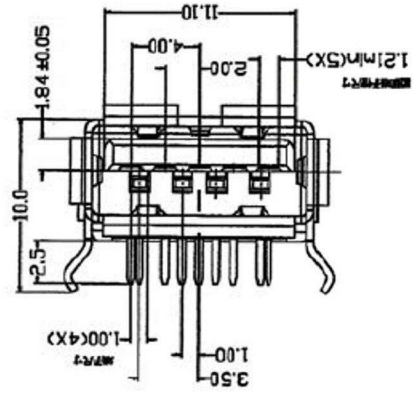
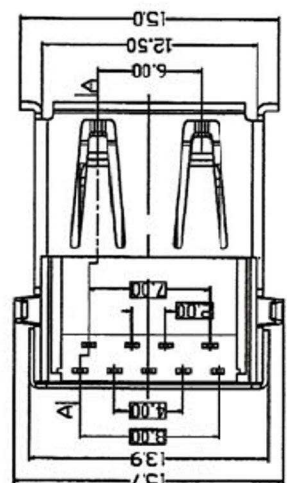


SECTION A-A
SCALE 1:1



Connector front edge

REFERENCE PCB LAYOUT

ELECTRICAL CHARACTERISTICS:
 30V DC/AC 1A Max.
 CONTACT RESISTANCE:30mΩ Max.
 INSULATION RESISTANCE:
 100MΩ Min.at 500V DC.
 DIELECTRIC STRENGTH:
 750V AC/1 minute.
 INSERTION FORCE:3.6kgf MAX
 WITHDRAWAL:1.0kgf MIN

RoHS
Compliant

W+P PRODUCTS

Dohlestr. 29
32297 Bünde
Tel: 05223-985 07-0
Fax: 05223-985 07-50
email: info@wppro.com

APPD. 核准	ME	TOLERANCE 容許公差	PART NAME	
DWG. 製圖	SPE	SCALE 比例	0 ±	829-1-2-80
DATE 制表日	2009/5/11	UNIT 單位	ANG ±	
		SIZE 紙張尺寸	A 4	
		PAGE 版數	1 / 1	
		REV. 版本	A	
		PART NO. 料號	829-1-2-80	